

NXT LITE SERIES



NXT-LITE-S SPECIFICATIONS

Housing: Single piece, die-cast A360 aluminum alloy with <0.6% copper content

Operating Temperature: -40°C to +50°C (-40°F to +122°F)¹

Mounting: 1.625" - 2.375" (42 - 60 mm) O.D. Tenons

Mounting Methods: Horizontal Entry or Post-Top Mount

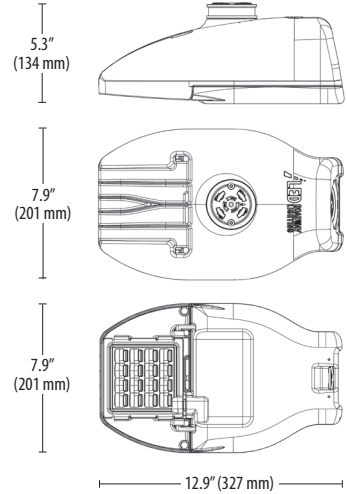
Weight: 8 lbs (3.6 kg)

EPA Rating: <0.3 ft² (< 0.028 m²)

Lens Material: PMMA, IK09 Rated Glass Optional

Ingress Protection: Power supply and optical assembly are IP66 rated per IEC 60529/ANSI C136.25. Luminaire is rated for wet locations. IP66 wiring chamber (optional)².

Finish: Durable polyester powdercoat topcoat.



Available Colors:

GREY (RAL 7035)



	L6 NXT-LITE-S (16 LEDs)										LH NXT-LITE-S (16 LEDs)		
ELECTRICAL													
LED Voltage (V)	6										12		
Drive Currents (mA)	175	200	250	300	350	400	450	500	525	600	300	350	400
Power Consumption (W)	20	23	28	34	37	43	48	54	57	66	62	75	83
Input Voltage (V)	120 - 277V (Standard), 347 - 480V (Optional), 220-240V (Optional)												
Surge Protection	Meets ANSI C136.2 - 2018 extreme electrical transient immunity requirements (20kV/10kA)												
Power Factor	>0.90												
Receptacle	7-PIN receptacle (ANSI C136.41)												

OPTICS & PERFORMANCE													
Photometry (Distribution) ⁵	2ES, 3AH ⁵ , 3LM, G2S, G3M												
Color Temperature (CCT)	4000K (Standard), 3000K (Optional)												
Color Rendering Index (CRI)	70												
3000K Fixture Efficacy (Lm/W)	145	144	144	144	144	143	142	142	139	135	114	103	108
4000K Fixture Efficacy (Lm/W)	154	153	153	153	152	151	151	150	145	139	125	113	119
3000K Fixture Output (Lm)	2,900	3,300	4,050	4,800	5,550	6,250	6,950	7,650	7,900	8,900	7,050	7,700	8,950
4000K Fixture Output (Lm)	3,100	3,550	4,350	5,100	5,800	6,500	7,300	8,000	8,250	9,150	7,750	8,500	9,850
LED L70 (Hours)	> 100,000 hours @ maximum drive current												
Shielding	Optional shields available upon request.												

PHOTOCELL & CONTROLS	
Photocell Options	20-year life photocell available.
Control & Monitoring	Dimming power supply (1-10V) is standard equipment. DALI option is available with 700mA driver (120-277V) only. We offer a complete range of control and monitoring solutions.

1. For CE, CT, CZ, EN certifications, max ambient temp of +50°C; all others max ambient of +40°C. -40°C for fixed installation only. 2. IP66 valid with LRL Lumen IQ controller. 3. Not all model configurations are DLC qualified - consult factory for details. 4. Only products with a CCT of 3000K (or less) meet International Dark Sky Association requirements. 5. 3AH Optic is not applicable to LH.

Performance data refer to type 2ES Optic without glass protector. Values shown are subject to ±5% tolerance. Color temperatures shown are ±300K. If post-top version is specified, add 5.4" (137 mm) to overall length dimension. Illustrated Above: NXT-LITE-S in grey (RAL 7035). All information provided is subject to change without notice.



84 Chain Lake Drive, Halifax,
Nova Scotia, Canada, B3S 1A2

T: +1.877.533.5755
F: +1.888.533.5755

liveablecities.com
info@liveablecities.com

NXT LITE SERIES

NXT-LITE-M SPECIFICATIONS

Housing: Single piece, die-cast A360 aluminum alloy with <0.6% copper content

Operating Temperature: -40°C to +50°C (-40°F to +122°F)¹

Mounting: 1.625" - 2.375" (42 - 60 mm) O.D. Tenons

Mounting Methods: Horizontal Entry or Post-Top Mount

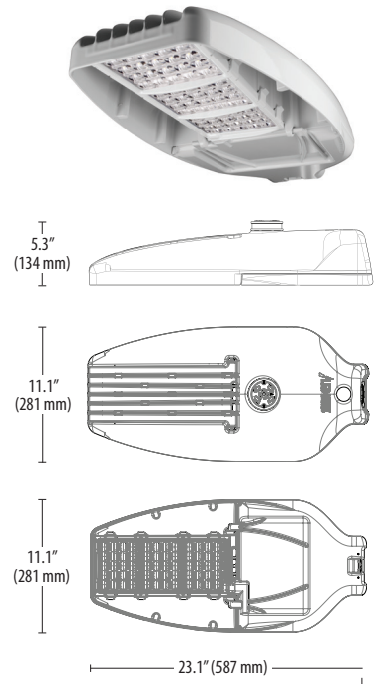
Weight: 15 lbs (6.8 kg)

EPA Rating: <0.5 ft² (< 0.047 m²)

Lens Material: PMMA, IK08 Rated Glass Optional

Ingress Protection: Power supply and optical assembly are IP66 rated per IEC 60529/ANSI C136.25. Luminaire is rated for wet locations. IP66 wiring chamber (optional)².

Finish: Durable polyester powdercoat topcoat.



Available Colors:

GREY (RAL 7035)



	L6 NXT-LITE-M (60 LEDs)							LH NXT-LITE-M (60 LEDs)
ELECTRICAL								
LED Voltage (V)	6							12
Drive Currents (mA)	200	250	300	350	400	466	500	300
Power Consumption (W)	72	91	110	129	154	174	194	214
Input Voltage (V)	120 - 277V (Standard), 347 - 480V (Optional), 220-240V (Optional)							
Surge Protection	Meets ANSI C136.2-2018 extreme electrical transient immunity requirements (20kV/10kA)							
Power Factor	>0.90							
Receptacle	7-PIN receptacle (ANSI C136.41)							

OPTICS & PERFORMANCE								
Photometry (Distribution) ⁶	2ES, 3AH ⁶ , 3LM, G2S, G3M							
Color Temperature (CCT)	4000K (Standard), 3000K (Optional)							
Color Rendering Index (CRI)	70							
3000K Fixture Efficacy (Lm/W)	166	165	157	153	149	146	143	115
4000K Fixture Efficacy (Lm/W)	173	170	165	162	157	153	146	128
3000K Fixture Output (Lm)	12,000	15,000	17,750	20,300	22,900	26,000	27,650	24,650
4000K Fixture Output (Lm)	12,500	15,500	18,200	20,900	24,200	26,700	28,400	27,300
LED L70 (Hours)	> 100,000 hours @ maximum drive current							
Shielding	Optional shields available upon request.							

PHOTOCELL & CONTROLS	
Photocell Options	20-year life photocell available.
Control & Monitoring	Dimming power supply (1-10V) is standard equipment. We offer a complete range of control and monitoring solutions.

1. For CE, CT, CZ, EN certifications, max ambient temp of +50°C; all others max ambient of +40°C. -40 °C for fixed installation only. 2. IP66 valid with LRL Lumen IQ controller. 3. Applies to NXT-LITE-M (3V LEDs/Standard) 4. Not all model configurations are DLC qualified - consult factory for details. 5. Only products with a CCT of 3000K (or less) meet International Dark Sky Association requirements. 6. 3AH Optic is not applicable to LH.

Performance data refer to type 2ES Optic without glass protector. Values shown are subject to ±5% tolerance. Color temperatures shown are ±300K If post-top version is specified, add 5.4" (137 mm) to overall length dimension. Illustrated Above: NXT-LITE-M in grey (RAL 7035). All information provided is subject to change without notice.



84 Chain Lake Drive, Halifax,
Nova Scotia, Canada, B3S 1A2

T: +1.877.533.5755
F: +1.888.533.5755

liveablecities.com
info@liveablecities.com

NXT^{LITE} SERIES

STANDARD OUTPUT ORDERING INFORMATION

Example catalog number: L6-16S-2-7-2ES-1-S-GY-4-UL-2-S-A

SERIES ¹	LEDS / BODY	VOLTAGE ²	RECEPTACLE ³	OPTICS	LED DRIVE CURRENT
L6			7		
L6 - NXT-LITE L0 - NXT-LITE ¹ Older model of NXT-LITE series available. Consult with factory for order guide.	16S - Small	2 - 220 - 240V 5 - 120 - 277V 6 - 347 - 480V	7 - 7-PIN Receptacle (C136.41)	2ES - Type II Max Throw 3AH - Type III ANZ High Throw 3LM - Type III Medium G2S - Glass Type II Max Throw G3M - Glass Type III Medium 5RM - Type V Round	1 - 175mA M - 200mA 2 - 250mA F - 262mA W - 300mA 3 - 350mA T - 400mA 4 - 450mA R - 500mA 5 - 525mA 6 - 600mA
L6 - NXT-LITE L0 - NXT-LITE ¹ Older model of NXT-LITE series available. Consult with factory for order guide.	60M - Medium	2 - 220 - 240V 5 - 120 - 277V 6 - 347 - 480V	7 - 7-PIN Receptacle (C136.41)	2ES - Type II Max Throw 3AH - Type III ANZ High Throw 3LM - Type III Medium G2S - Glass Type II Max Throw G3M - Glass Type III Medium 5RM - Type V Round	M - 200mA 2 - 250mA W - 300mA 3 - 350mA T - 400mA J - 466mA R - 500mA

DRIVER OPTION ⁴	FINISH	TEMPERATURE (CCT) ⁵	CERTIFICATION ⁶	MOUNTING METHOD ⁷	WIRING CHAMBER
S - Standard Dimming (1-10V) D - DALI ⁴	GY - Grey (RAL 7035) BK - Black (RAL 9005)	4 - 4000K (Standard) 3 - 3000K (Optional)	UL - cULus CE - European NM - NOM - Mexico EN - ENEC	2 - 2-Bolt Horizontal Mount 4 - 4-Bolt Horizontal Mount	S - Standard B - IP66 and Class II (CE only)
S - Standard Dimming (1-10V)	GY - Grey (RAL 7035) BK - Black (RAL 9005)	4 - 4000K (Standard) 3 - 3000K (Optional)	UL - cULus CE - European NM - NOM - Mexico EN - ENEC	2 - 2-Bolt Horizontal Mount 4 - 4-Bolt Horizontal Mount	S - Standard B - IP66 and Class II (CE only)

SURGE PROTECTION	OTHER OPTIONS
A	
A - 20 kV / 10 kA Fail-Off	If applicable, insert 4 digit Special Product Request code (SPR)
A - 20 kV / 10 kA Fail-Off	If applicable, insert 4 digit Special Product Request code (SPR)

CATALOG NUMBER:

Include shorting caps 120-480V UL/CE with order? Yes No

Project Name:	Comments
Quantity:	
Approved By:	
Date:	

1. Older version of NXT-LITE series available. Consult with the factory for L0 Order Guide. 2. 347-480V only with 16 LED, 30W and above. 3. If photocells are required, they must be ordered separately. 4. DALI only available up to 350mA, 120 - 277V. Consult factory for details. 5. Other color temperatures available. 6. NOM certification only supports models up to 700mA drive current. For CE, CT, CZ, EN certifications, max ambient temp of +50°C; all others max ambient of +40°C -40 °C for fixed installation only. 7. If post-top mount required, bracket must be ordered separately.

By completing the Order Confirmation above, I certify that I am authorized to sign the confirmation on behalf of the company. Information provided is subject to change without notice. LED Roadway Lighting Ltd. supplies and warrants luminaires and proprietary control systems only. It is the responsibility of the client to select lighting poles and mounting arms that are suitable for the application (including but not limited to wind loading, seismic requirements, etc.) and the characteristics of the luminaire (e.g. EPA rating), and to confirm integrity and suitability of existing poles and mounting arms prior to installation.



84 Chain Lake Drive, Halifax,
Nova Scotia, Canada, B3S 1A2

T: +1.877.533.5755
F: +1.888.533.5755

liveablecities.com
info@liveablecities.com

NXT^{LITE} SERIES

HIGH OUTPUT ORDERING INFORMATION

Example catalog number: LH-16S-2-7-2ES-W-S-GY-4-UL-2-5-A

SERIES	LEDS / BODY	VOLTAGE	RECEPTACLE ¹	OPTICS	LED DRIVE CURRENT ²
LH			7		
LH - NXT-LITE	16S - Small 60M - Medium	2 - 220 - 240V 5 - 120 - 277V 6 - 347 - 480V	7 - 7-PIN Receptacle (C136.41)	2ES - Type II Max Throw 3LM - Type III Medium G2S - Glass Type II Max Throw G3M - Glass Type III Medium	W - 300mA 3 - 350mA ² T - 400mA ² S - 425mA ²
<small>NXT-LITE-S / NXT-LITE-M High Output</small>	<small>NXT-LITE-S / NXT-LITE-M High Output</small>	<small>NXT-LITE-S / NXT-LITE-M High Output</small>	<small>NXT-LITE-S / NXT-LITE-M High Output</small>	<small>NXT-LITE-S / NXT-LITE-M High Output</small>	<small>NXT-LITE-S / NXT-LITE-M High Output</small>

DRIVER OPTION ³	FINISH	TEMPERATURE (CCT) ⁴	CERTIFICATION ⁵	MOUNTING METHOD ⁷	WIRING CHAMBER
S - Standard Dimming (1-10V) D - DALI ³	GY - Grey (RAL 7035) BK - Black (RAL 9005)	4 - 4000K (Standard) 3 - 3000K (Optional)	UL - cULus CE - European EN - ENEC NM - NOM-Mexico	2 - 2-Bolt Horizontal Mount 4 - 4-Bolt Horizontal Mount ⁷	S - Standard B - IP66 and Class II (CE only)
<small>NXT-LITE-S / NXT-LITE-M High Output</small>	<small>NXT-LITE-S / NXT-LITE-M High Output</small>	<small>NXT-LITE-S / NXT-LITE-M High Output</small>	<small>NXT-LITE-S / NXT-LITE-M High Output</small>	<small>NXT-LITE-S / NXT-LITE-M High Output</small>	<small>NXT-LITE-S / NXT-LITE-M High Output</small>

SURGE PROTECTION	OTHER OPTIONS
A	
A - 20 kV / 10 kA Fail-Off	If applicable, insert 4 digit Special Product Request code (SPR)
<small>NXT-LITE-S / NXT-LITE-M High Output</small>	<small>NXT-LITE-S / NXT-LITE-M High Output</small>

CATALOG NUMBER:

Include shorting caps 120-480V UL/CE with order? Yes No

Project Name:	Comments
Quantity:	
Approved By:	
Date:	

1. If photocells are required, they must be ordered separately. 2. 350 mA, 400 mA, and 425 mA drive currents not available with NXT-LITE-M. 3. DALI not available on 347-480V. 4. Other color temperatures available.
5. For CE, CT, CZ, EN certifications, max ambient temp of +50°C; all others max ambient of +40°C. -40 °C for fixed installation only. 7. If post-top mount required, bracket must be ordered separately. 4-bolt mount not available with NXT-Lite-M.

By completing the Order Confirmation above, I certify that I am authorized to sign the confirmation on behalf of the company. Information provided is subject to change without notice. LED Roadway Lighting Ltd. supplies and warrants luminaires and proprietary control systems only. It is the responsibility of the client to select lighting poles and mounting arms that are suitable for the application (including but not limited to wind loading, seismic requirements, etc.) and the characteristics of the luminaire (e.g. EPA rating), and to confirm integrity and suitability of existing poles and mounting arms prior to installation.