

NXT LITE SERIES



NXT-LITE-S SPECIFICATIONS

Housing: Single piece, die-cast A360 aluminum alloy with <0.6% copper content

Operating Temperature: -40°C to +50°C (-40°F to +122°F)¹

Mounting: 1.625" - 2.375" (42 - 60 mm) O.D. Tenons

Mounting Methods: Horizontal Entry or Post-Top Mount

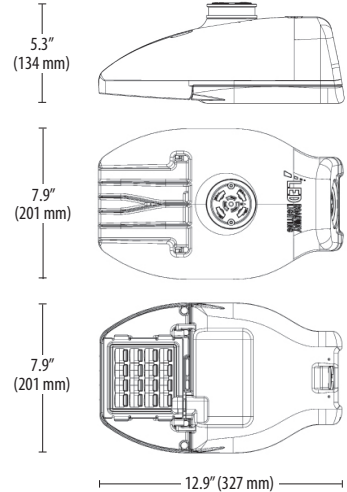
Weight: 8 lbs (3.6 kg)

EPA Rating: <0.3 ft² (< 0.028 m²)

Lens Material: PMMA, IK09 Rated Glass Optional

Ingress Protection: Power supply and optical assembly are IP66 rated per IEC 60529/ANSI C136.25. Luminaire is rated for wet locations. IP66 wiring chamber (optional)².

Finish: Durable polyester powdercoat topcoat.



Available Colors:

GREY (RAL 7035)



| | L6 NXT-LITE-S (16 LEDs) | | | | | | | | | | LH NXT-LITE-S (16 LEDs) | | |
|-----------------------|---|-----|-----|-----|-----|-----|-----|-----|-----|-----|-------------------------|-----|-----|
| ELECTRICAL | | | | | | | | | | | | | |
| LED Voltage (V) | 6 | | | | | | | | | | 12 | | |
| Drive Currents (mA) | 175 | 200 | 250 | 300 | 350 | 400 | 450 | 500 | 525 | 600 | 300 | 350 | 400 |
| Power Consumption (W) | 20 | 23 | 28 | 34 | 37 | 43 | 48 | 54 | 57 | 66 | 62 | 75 | 83 |
| Input Voltage (V) | 120 - 277V (Standard), 347 - 480V (Optional), 220-240V (Optional) | | | | | | | | | | | | |
| Surge Protection | Meets ANSI C136.2 - 2018 extreme electrical transient immunity requirements (20kV/10kA) | | | | | | | | | | | | |
| Power Factor | >0.90 | | | | | | | | | | | | |
| Receptacle | 7-PIN receptacle (ANSI C136.41) | | | | | | | | | | | | |

| OPTICS & PERFORMANCE | | | | | | | | | | | | | |
|--|--|-------|-------|-------|-------|-------|-------|-------|-------|-------|-------|-------|-------|
| Photometry (Distribution) ⁵ | 2ES, 3AH ⁵ , 3LM, G2S, G3M | | | | | | | | | | | | |
| Color Temperature (CCT) | 4000K (Standard), 3000K (Optional) | | | | | | | | | | | | |
| Color Rendering Index (CRI) | 70 | | | | | | | | | | | | |
| 3000K Fixture Efficacy (Lm/W) | 143 | 144 | 145 | 133 | 143 | 140 | 137 | 134 | 133 | 130 | 114 | 103 | 108 |
| 4000K Fixture Efficacy (Lm/W) | 143 | 146 | 141 | 139 | 135 | 134 | 131 | 128 | 125 | 126 | 125 | 113 | 119 |
| 3000K Fixture Output (Lm) | 2,850 | 3,250 | 4,000 | 4,500 | 5,350 | 6,000 | 6,650 | 7,250 | 7,550 | 8,500 | 7,050 | 7,700 | 8,950 |
| 4000K Fixture Output (Lm) | 3,000 | 3,350 | 4,100 | 4,600 | 5,250 | 5,900 | 6,550 | 7,150 | 7,400 | 8,200 | 7,750 | 8,500 | 9,850 |
| LED L70 (Hours) | > 100,000 hours @ maximum drive current | | | | | | | | | | | | |
| Shielding | Optional shields available upon request. | | | | | | | | | | | | |

| PHOTOCELL & CONTROLS | |
|----------------------|--|
| Photocell Options | 20-year life photocell available. |
| Control & Monitoring | Dimming power supply (1-10V) is standard equipment. DALI option is available with 700mA driver (120-277V) only. We offer a complete range of control and monitoring solutions. |

1. For CE, CT, CZ, EN certifications, max ambient temp of +50°C; all others max ambient of +40°C. -40°C for fixed installation only. 2. IP66 valid with LRL Lumen IQ controller. 3. Not all model configurations are DLC qualified - consult factory for details. 4. Only products with a CCT of 3000K (or less) meet International Dark Sky Association requirements. 5. 3AH Optic is not applicable to LH.

Performance data refer to type 2ES Optic without glass protector. Values shown are subject to ±5% tolerance. Color temperatures shown are ±300K. If post-top version is specified, add 5.4" (137 mm) to overall length dimension. Illustrated Above: NXT-LITE-S in grey (RAL 7035). All information provided is subject to change without notice.



115 Chain Lake Drive, Halifax,
Nova Scotia, Canada, B3S 1B3

T: +1.877.533.5755
F: +1.888.533.5755

liveablecities.com
info@liveablecities.com

NXT LITE SERIES

NXT-LITE-M SPECIFICATIONS

Housing: Single piece, die-cast A360 aluminum alloy with <0.6% copper content

Operating Temperature: -40°C to +50°C (-40°F to +122°F)¹

Mounting: 1.625" - 2.375" (42 - 60 mm) O.D. Tenons

Mounting Methods: Horizontal Entry or Post-Top Mount

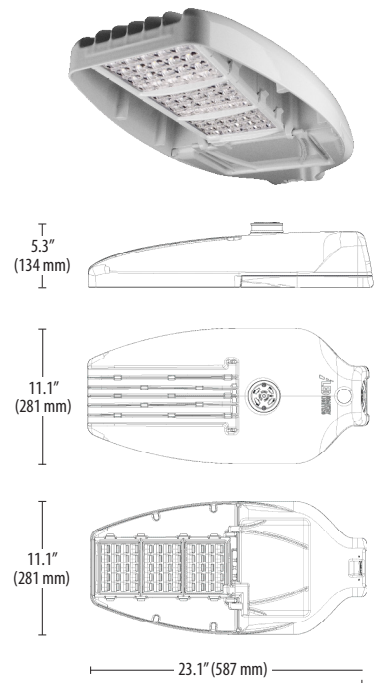
Weight: 15 lbs (6.8 kg)

EPA Rating: <0.5 ft² (< 0.047 m²)

Lens Material: PMMA, IK08 Rated Glass Optional

Ingress Protection: Power supply and optical assembly are IP66 rated per IEC 60529/ANSI C136.25. Luminaire is rated for wet locations. IP66 wiring chamber (optional)².

Finish: Durable polyester powdercoat topcoat.



Available Colors:

GREY (RAL 7035)



| ELECTRICAL | L6 NXT-LITE-M (60 LEDs) | | | | | | | LH NXT-LITE-M (60 LEDs) |
|-----------------------|---|-----|-----|-----|-----|-----|-----|-------------------------|
| | LED Voltage (V) | 6 | | | | | | |
| Drive Currents (mA) | 200 | 250 | 300 | 350 | 400 | 466 | 500 | 300 |
| Power Consumption (W) | 72 | 91 | 110 | 129 | 154 | 174 | 194 | 214 |
| Input Voltage (V) | 120 - 277V (Standard), 347 - 480V (Optional), 220-240V (Optional) | | | | | | | |
| Surge Protection | Meets ANSI C136.2-2018 extreme electrical transient immunity requirements (20kV/10kA) | | | | | | | |
| Power Factor | >0.90 | | | | | | | |
| Receptacle | 7-PIN receptacle (ANSI C136.41) | | | | | | | |

| OPTICS & PERFORMANCE | | | | | | | | |
|--|--|--------|--------|--------|--------|--------|--------|--------|
| Photometry (Distribution) ⁶ | 2ES, 3AH ⁶ , 3LM, G2S, G3M | | | | | | | |
| Color Temperature (CCT) | 4000K (Standard), 3000K (Optional) | | | | | | | |
| Color Rendering Index (CRI) | 70 | | | | | | | |
| 3000K Fixture Efficacy (Lm/W) | 153 | 148 | 145 | 142 | 134 | 123 | 129 | 115 |
| 4000K Fixture Efficacy (Lm/W) | 166 | 162 | 157 | 153 | 144 | 148 | 142 | 128 |
| 3000K Fixture Output (Lm) | 11,000 | 13,500 | 16,000 | 18,300 | 20,700 | 21,350 | 25,000 | 24,650 |
| 4000K Fixture Output (Lm) | 11,950 | 14,700 | 17,300 | 19,800 | 22,200 | 25,800 | 27,500 | 27,300 |
| LED L70 (Hours) | > 100,000 hours @ maximum drive current | | | | | | | |
| Shielding | Optional shields available upon request. | | | | | | | |

| PHOTOCELL & CONTROLS | |
|----------------------|--|
| Photocell Options | 20-year life photocell available. |
| Control & Monitoring | Dimming power supply (1-10V) is standard equipment. We offer a complete range of control and monitoring solutions. |

1. For CE, CT, CZ, EN certifications, max ambient temp of +50°C; all others max ambient of +40°C. -40 °C for fixed installation only. 2. IP66 valid with LRL Lumen IQ controller. 3. Applies to NXT-LITE-M (3V LEDs/Standard) 4. Not all model configurations are DLC qualified - consult factory for details. 5. Only products with a CCT of 3000K (or less) meet International Dark Sky Association requirements. 6. 3AH Optic is not applicable to LH.

Performance data refer to type 2ES Optic without glass protector. Values shown are subject to ±5% tolerance. Color temperatures shown are ±300K If post-top version is specified, add 5.4" (137 mm) to overall length dimension. Illustrated Above: NXT-LITE-M in grey (RAL 7035). All information provided is subject to change without notice.



115 Chain Lake Drive, Halifax,
Nova Scotia, Canada, B3S 1B3

T: +1.877.533.5755
F: +1.888.533.5755

liveablecities.com
info@liveablecities.com

NXT LITE SERIES

STANDARD OUTPUT ORDERING INFORMATION

Example catalog number: L6-16S-2-7-2ES-1-S-GY-4-UL-2-S-A

| SERIES ¹ | LEDS / BODY | VOLTAGE ² | RECEPTACLE ³ | OPTICS | LED DRIVE CURRENT |
|---|---------------------|---|---------------------------------------|--|--|
| L6 | | | 7 | | |
| L6 - NXT-LITE L0 - NXT-LITE ¹ Older model of NXT-LITE series available. Consult with factory for order guide. | 16S - Small | 2 - 220 - 240V 5 - 120 - 277V 6 - 347 - 480V | 7 - 7-PIN Receptacle (C136.41) | 2ES - Type II Max Throw 3AH - Type III ANZ High Throw 3LM - Type III Medium G2S - Glass Type II Max Throw G3M - Glass Type III Medium | 1 - 175mA M - 200mA 2 - 250mA F - 262mA W - 300mA 3 - 350mA T - 400mA 4 - 450mA R - 500mA 5 - 525mA 6 - 600mA |
| L6 - NXT-LITE L0 - NXT-LITE ¹ Older model of NXT-LITE series available. Consult with factory for order guide. | 60M - Medium | 2 - 220 - 240V 5 - 120 - 277V 6 - 347 - 480V | 7 - 7-PIN Receptacle (C136.41) | 2ES - Type II Max Throw 3AH - Type III ANZ High Throw 3LM - Type III Medium G2S - Glass Type II Max Throw G3M - Glass Type III Medium | M - 200mA 2 - 250mA W - 300mA 3 - 350mA T - 400mA J - 466mA R - 500mA |

| DRIVER OPTION ⁴ | FINISH | TEMPERATURE (CCT) ⁵ | CERTIFICATION ⁶ | MOUNTING METHOD ⁷ | WIRING CHAMBER |
|---|---|--|---|--|---|
| S - Standard Dimming (1-10V) D - DALI ⁴ | GY - Grey (RAL 7035) BK - Black (RAL 9005) | 4 - 4000K (Standard) 3 - 3000K (Optional) | UL - cULus CE - European NM - NOM - Mexico EN - ENEC | 2 - 2-Bolt Horizontal Mount 4 - 4-Bolt Horizontal Mount | S - Standard B - IP66 and Class II (CE only) |
| S - Standard Dimming (1-10V) | GY - Grey (RAL 7035) BK - Black (RAL 9005) | 4 - 4000K (Standard) 3 - 3000K (Optional) | UL - cULus CE - European NM - NOM - Mexico EN - ENEC | 2 - 2-Bolt Horizontal Mount | S - Standard B - IP66 and Class II (CE only) |

| SURGE PROTECTION | OTHER OPTIONS |
|-----------------------------------|--|
| A | |
| A - 20 kV / 10 kA Fail-Off | If applicable, insert 4 digit Special Product Request code (SPR) |
| A - 20 kV / 10 kA Fail-Off | If applicable, insert 4 digit Special Product Request code (SPR) |

CATALOG NUMBER:

Include shorting caps 120-480V UL/CE with order? Yes No

| | |
|---------------|----------|
| Project Name: | Comments |
| Quantity: | |
| Approved By: | |
| Date: | |

1. Older version of NXT-LITE series available. Consult with the factory for L0 Order Guide. 2. 347-480V only with 16 LED, 30W and above. 3. If photocells are required, they must be ordered separately. 4. DALI only available up to 350mA, 120 - 277V. Consult factory for details. 5. Other color temperatures available. 6. NOM certification only supports models up to 700mA drive current. For CE, CT, CZ, EN certifications, max ambient temp of +50°C; all others max ambient of +40°C -40 °C for fixed installation only. 7. If post-top mount required, bracket must be ordered separately.

By completing the Order Confirmation above, I certify that I am authorized to sign the confirmation on behalf of the company. Information provided is subject to change without notice. LED Roadway Lighting Ltd. supplies and warrants luminaires and proprietary control systems only. It is the responsibility of the client to select lighting poles and mounting arms that are suitable for the application (including but not limited to wind loading, seismic requirements, etc.) and the characteristics of the luminaire (e.g. EPA rating), and to confirm integrity and suitability of existing poles and mounting arms prior to installation.



115 Chain Lake Drive, Halifax,
Nova Scotia, Canada, B3S 1B3

T: +1.877.533.5755
F: +1.888.533.5755

liveablecities.com
info@liveablecities.com

NXT^{LITE} SERIES

HIGH OUTPUT ORDERING INFORMATION

Example catalog number: LH-16S-2-7-2ES-W-S-GY-4-UL-2-5-A

| SERIES | LEDS / BODY | VOLTAGE | RECEPTACLE ¹ | OPTICS | LED DRIVE CURRENT ² |
|--|--|---|--|--|---|
| LH | | | 7 | | |
| LH - NXT-LITE | 16S - Small 60M - Medium | 2 - 220 - 240V 5 - 120 - 277V 6 - 347 - 480V | 7 - 7-PIN Receptacle (C136.41) | 2ES - Type II Max Throw 3LM - Type III Medium G2S - Glass Type II Max Throw G3M - Glass Type III Medium | W - 300mA 3 - 350mA ² T - 400mA ² S - 425mA ² |
| <small>NXT-LITE-S / NXT-LITE-M High Output</small> | <small>NXT-LITE-S / NXT-LITE-M High Output</small> | <small>NXT-LITE-S / NXT-LITE-M High Output</small> | <small>NXT-LITE-S / NXT-LITE-M High Output</small> | <small>NXT-LITE-S / NXT-LITE-M High Output</small> | <small>NXT-LITE-S / NXT-LITE-M High Output</small> |

| DRIVER OPTION ³ | FINISH | TEMPERATURE (CCT) ⁴ | CERTIFICATION ⁵ | MOUNTING METHOD ⁷ | WIRING CHAMBER |
|---|---|--|---|---|---|
| S - Standard Dimming (1-10V) D - DALI ³ | GY - Grey (RAL 7035) BK - Black (RAL 9005) | 4 - 4000K (Standard) 3 - 3000K (Optional) | UL - cULus CE - European EN - ENEC NM - NOM-Mexico | 2 - 2-Bolt Horizontal Mount 4 - 4-Bolt Horizontal Mount ⁷ | S - Standard B - IP66 and Class II (CE only) |
| <small>NXT-LITE-S / NXT-LITE-M High Output</small> | <small>NXT-LITE-S / NXT-LITE-M High Output</small> | <small>NXT-LITE-S / NXT-LITE-M High Output</small> | <small>NXT-LITE-S / NXT-LITE-M High Output</small> | <small>NXT-LITE-S / NXT-LITE-M High Output</small> | <small>NXT-LITE-S / NXT-LITE-M High Output</small> |

| SURGE PROTECTION | OTHER OPTIONS |
|--|--|
| A | |
| A - 20 kV / 10 kA Fail-Off | If applicable, insert 4 digit Special Product Request code (SPR) |
| <small>NXT-LITE-S / NXT-LITE-M High Output</small> | <small>NXT-LITE-S / NXT-LITE-M High Output</small> |

CATALOG NUMBER:

Include shorting caps 120-480V UL/CE with order? Yes No

| | |
|---------------|----------|
| Project Name: | Comments |
| Quantity: | |
| Approved By: | |
| Date: | |

1. If photocells are required, they must be ordered separately. 2. 350 mA, 400 mA, and 425 mA drive currents not available with NXT-LITE-M. 3. DALI not available on 347-480V. 4. Other color temperatures available.
5. For CE, CT, CZ, EN certifications, max ambient temp of +50°C; all others max ambient of +40°C. -40 °C for fixed installation only. 7. If post-top mount required, bracket must be ordered separately. 4-bolt mount not available with NXT-Lite-M.

By completing the Order Confirmation above, I certify that I am authorized to sign the confirmation on behalf of the company. Information provided is subject to change without notice. LED Roadway Lighting Ltd. supplies and warrants luminaires and proprietary control systems only. It is the responsibility of the client to select lighting poles and mounting arms that are suitable for the application (including but not limited to wind loading, seismic requirements, etc.) and the characteristics of the luminaire (e.g. EPA rating), and to confirm integrity and suitability of existing poles and mounting arms prior to installation.