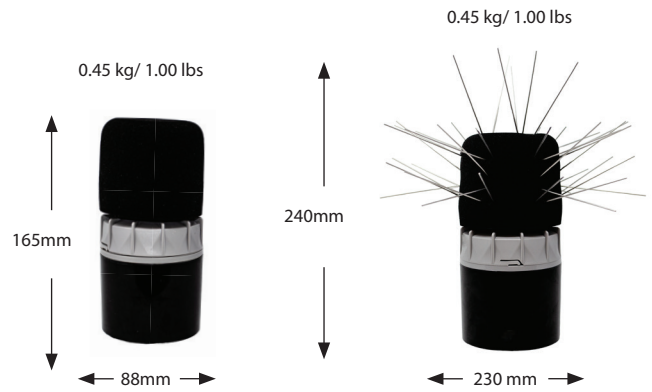


# SLX-NOISE

## ACOUSTIC ANALYTICS HARDWARE SPECIFICATIONS



MEASUREMENT DATA	
Peak Noise Measurement (Leq Peak)	Reporting of peak noise level recorded in 15 minute monitoring increments as default, reporting periods are configurable.
Average Noise Level (Leq Avg)	Reporting of average noise level recorded in 15 minute monitoring increments as default, reporting periods are configurable.
Minimum Noise Level (Leq Min)	Reporting of minimum noise level recorded in 15 minute monitoring increments as default, reporting periods are configurable
Calculation Method	Edge computing of data with cellular backhaul to SmartLinX Data Visualization Platform.
Communication	Cellular (LTE-M) back-haul of data from the device
Reporting Frequency	Automatic Reporting in 15 or 60 minute increments. Shorter increments available upon request
Configuration	Over the air (OTA) configurable for modification parameters, firmware upgrades, etc.

CERTIFICATIONS	
Product Safety Certification	UL, CE
Cellular Certifications	PTCRB, FCC, IC

ELECTRICAL/MECHANICAL/ENVIRONMENTAL	
Electrical Input	See SLX-Controller Spec Sheet for more information. B870 rated 120-480V, B671 rated 220-240V. ANSI C136.10 and C136.41 compliant.
Power Consumption	1W Avg @120V, 1.5W Max @120V
Vandal Resistance	IK-08 rated
Temperature Rating	-40°C to +60°C (-40°F to +140°F)

All information provided is subject to change without notice.

# SMARTLINX

## SOFTWARE SPECIFICATIONS

**REPEAT ORDER**

YES  NO



ORDERING AND SETUP INFORMATION	
Quantity	
Customer Name	
Project Name	
Approved By	
Date	
Comments	
SmartLinx Site Admin	Name
	Phone
	Email

### GRAPHICAL USER INTERFACE

- Intuitive easy to use, secure, 100% web based GUI.
- Displays devices in both a table and map view.
- Displays different devices with individual icons.
- Allows users to create and save logical groups of devices as Bookmarks.
- Mobile friendly utilizing single touch design.

### ASSET MANAGEMENT

- Auto discovery & commissioning + GPS locations of new devices.
- Stores asset information for all device types (traffic, pollution, noise, lighting).
- Enables users to group devices by region (Municipal District).
- Enable users to add, move and modify devices.
- Flexible user customizable inventory lists utilizing a built-in query language.
- Flexible user customizable data export and import.

### REPORTING AND ALERTS

- Flexible user configurable reports based on user defined inventory lists.
- Reports can be filtered by region (Municipal District).
- Displays alerts by region, user definable alert levels.
- Data History of any device can be displayed in a graphical view and exported as a PDF or CSV. Data History can display different sensors at the same time. For example: Displaying traffic volume and pollution levels.
- Multiple devices (traffic, pollution, and noise) can be displayed in Data History to assist with analysis.
- All reports can be scheduled at recurring times utilizing the Automation Center or run on-demand by the user.

### AUTOMATIONS AND ANALYTICS

- Automation Center to allow users to define custom business logic specific to their needs.
- Automation Center includes building blocks for Events, Notification Action, Ticket Actions, Analytics, Command Actions and Active Period.
- Automations allows for the generation of alarms or alerts to an individual users or groups of users via email or SMS.
- Automations can be filtered by Region (Municipal Districts).
- Automation allows for the generation of alarms or alerts at the expiration of a timer or scheduled on a specific time and date.
- Automation allows for the generation of alarms or alerts based on the analysis of incoming data.
- Automation supports user generated one-time or recurring reports.
- Supports heat maps analytics.

### USER MANAGEMENT, ROLES & PERMISSIONS

- User Management to limit users to specific Role and Group Permission.
- User Roles to limit user to specific Applications and Devices.
- User Permissions to limit user to Create, Update and Delete devices.
- Supports Active Directory, SAML 2.0
- Extensive audit trail by user, time stamp and activities.

### SMART CITY

- Supports TALQ2 Protocol for Smart Cities.
- Supports Open Smart City Protocol (OSCP).
- Extensive robust API for data exchange.

All information provided is subject to change without notice.