

SMARTLINX

SOFTWARE SPECIFICATIONS

REPEAT ORDER

YES NO



ORDERING AND SETUP INFORMATION	
Quantity	
Customer Name	
Project Name	
Approved By	
Date	
Comments	
SmartLinx Site Admin	Name
	Phone
	Email

GRAPHICAL USER INTERFACE

- Intuitive easy to use, secure, 100% web based GUI.
- Displays devices in both a table and map view.
- Displays different devices with individual icons.
- Allows users to create and save logical groups of devices as Bookmarks.
- Mobile friendly utilizing single touch design.

ASSET MANAGEMENT

- Auto discovery & commissioning + GPS locations of new devices.
- Stores asset information for all device types (traffic, pollution, noise, lighting).
- Enables users to group devices by region.
- Enable users to add, move and modify devices.
- Flexible user customizable inventory lists utilizing a built-in query language.
- Flexible user customizable data export and import.

REPORTING AND ALERTS

- Flexible user configurable reports based on user defined inventory lists.
- Reports can be filtered by Region.
- Displays alerts by region, user definable alert levels.
- Data History of any device can be displayed in a graphical view and exported as a PDF or CSV.
- Multiple devices (traffic, pollution, and noise) can be displayed in Data History to assist with analysis.
- All reports can be scheduled at recurring times utilizing the Automation Center or run on-demand by the user.

AUTOMATIONS AND ANALYTICS

- Automation Center to allow users to define custom business logic specific to their needs.
- Automation Center includes building blocks for Events, Notification Action, Ticket Actions, Analytics, Command Actions and Active Period.
- Automations allows for the generation of alarms or alerts to an individual users or groups of users via email or SMS
- Automations can be filtered by Region (Municipal Districts).
- Automation allows for the generation of alarms or alerts at the expiration of a timer or scheduled on a specific time and date.
- Automation allows for the generation of alarms or alerts based on the analysis of incoming data.
- Automation supports user generated one-time or recurring reports.
- Supports heat maps analytics.

USER MANAGEMENT, ROLES & PERMISSIONS

- User Management to limit users to specific Role and Group Permission.
- User Roles to limit user to specific Applications and Devices.
- User Permissions to limit user to Create, Update and Delete devices.
- Supports Active Directory, SAML 2.0
- Extensive audit trail by user, time stamp and activities.

SMART CITY

- Supports TALQ2 Protocol for Smart Cities.
- Supports Open Smart City Protocol (OSCP).
- Extensive robust API for data exchange.

All information provided is subject to change without notice.

HARDWARE

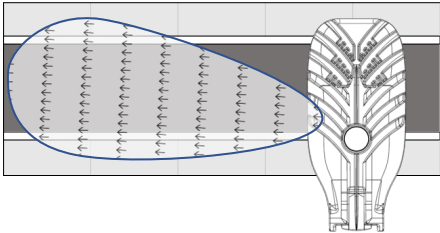
MEASUREMENT DATA	
Over-Speed	Default reporting of number of vehicles going 1-10 km/h over speed limit, 11-20 km/h over speed limit, 21 - 30 km/h over speed limit, and 30+ km/h over speed limit. The four speed bucket ranges are remotely configurable to user preferences. Over-speed data is also available by direction.
85th Percentile	85th percentile speed, 85th percentile speed approaching, 85th percentile speed receding
Peak Speed	Peak speed, Peak Speed-Approaching, Peak Speed-Receding
Average Speed	Average Speed, Average Speed-Approaching, Average Speed-Receding
Traffic Volume Characterization for lighting planning	Vehicle Count Characterization (Total), Vehicle Count Characterization - Approaching, Vehicle Count Characterization - Receding. Data is suitable for lighting reduction planning and does not provide a level of accuracy to replace ADT or AADT devices.
Calculation Method	Edge computing of data with cellular back-haul to SmartLinX Data Visualization Platform.
Data Collection/Reporting Method	Cellular (LTE-M or NBIoT) back-haul of data from site.
Reporting Frequency	Automatic reporting in 15 or 60 minute increments, 365 days per year.
Configuration	Over the air (OTA) configurable for modification of parameters, firmware upgrades, etc.

CERTIFICATIONS	
Product Safety Certification	cULus, CE
Radar Module Certification	FCC, IC
Cellular Certification	PTCRB

ELECTRICAL/MECHANICAL/ENVIRONMENTAL	
Voltage	120 - 277V, ANSI C136.10 and C136.41 Compliant
Vandal Resistance	IK-08 rated
Ingress Protection	IP-66 rated
Temperature Rating	-40C to +60C

DETECTION	
Detection Method	Doppler Radar, operating at 24 GHz
Road Detection Area	See detection patterns below.
Speed Range	0 - 200km/h

ROADWAY AND SIDEWALK AIMING



Install SLiQ luminaire 90° degrees to curb.

All information provided is subject to change without notice.